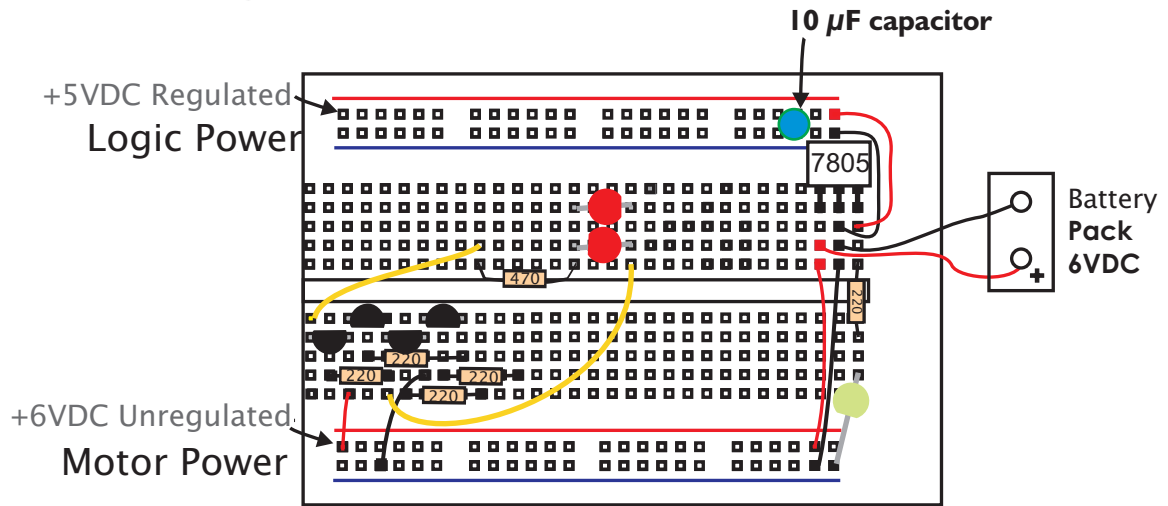


# H-Bridge Circuit

## Pictorial Diagram



## Schematic Diagram

